

MECHANICAL PLANTER



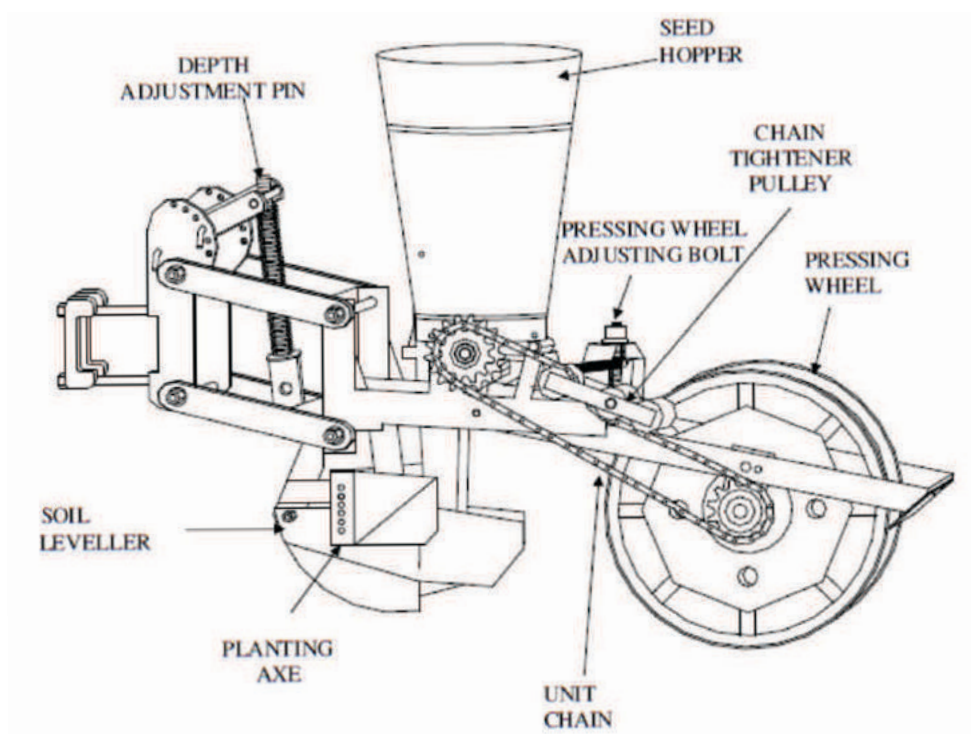
agromaster
we know the soil...

FEATURES

Mechanical Planter can be used for precise seeding.

Different types of seeds like corn, sunflower, cotton, sugar beet, soybean, sorghum, peanut and chickpea can be sowed on single row with this machine on every kind of cultivated soil.

The most important speciality of the seed drill is not only the simplicity of the design but also the facility of the usage.



SPECIFICATIONS

Model	AP 2	AP 4
Discs	2	4
Total width	1700 mm	2550 mm
Total length	1800 mm	1800 mm
Total height	1300 mm	1300 mm
Working depth	0-100 mm	0-100 mm
Fertilizer hopper capacity	130 kg	110x2 kg
Seed hopper capacity	15.2x2 dm ³	15.2x4 dm ³
Space between units	350x750 mm	350x750 mm
Total weight	380 kg	620 kg
Required tractor speed	7-9 km/h	7-9 km/h
Required tractor power (hp/kw)		



agromaster
we know the soil...

Seed Disc Table



Disc hole dia.	6,5x15 mm	12,5 mm	10,5 mm	11,5 mm	11,5 mm	Slide adjustment
Gears						
	10 Holes Sunflower	10 Holes Soy bean	12 Holes Napless cotton	15 Holes Peanut	15 Holes Corn	Notched Nappy cotton
Z11-Z11	19 cm	4 cm	3 cm	12 cm	12 cm	0-5 kg
Z15-Z11	14 cm	3 cm	2 cm	9 cm	9 cm	0-3 kg



Disc hole dia.	6,5x15 mm	12,5 mm	10,5 mm	11,5 mm	11,5 mm	Slide adjustment
Gears						
	10 Holes Sunflower	10 Holes Soy bean	12 Holes Napless cotton	15 Holes Peanut	15 Holes Corn	Notched Nappy cotton
Z11-Z11	19 cm	4 cm	3 cm	12 cm	12 cm	0-5 kg
Z11-Z15	25 cm	5 cm	7 cm	17 cm	17 cm	0-7 kg

Table 4