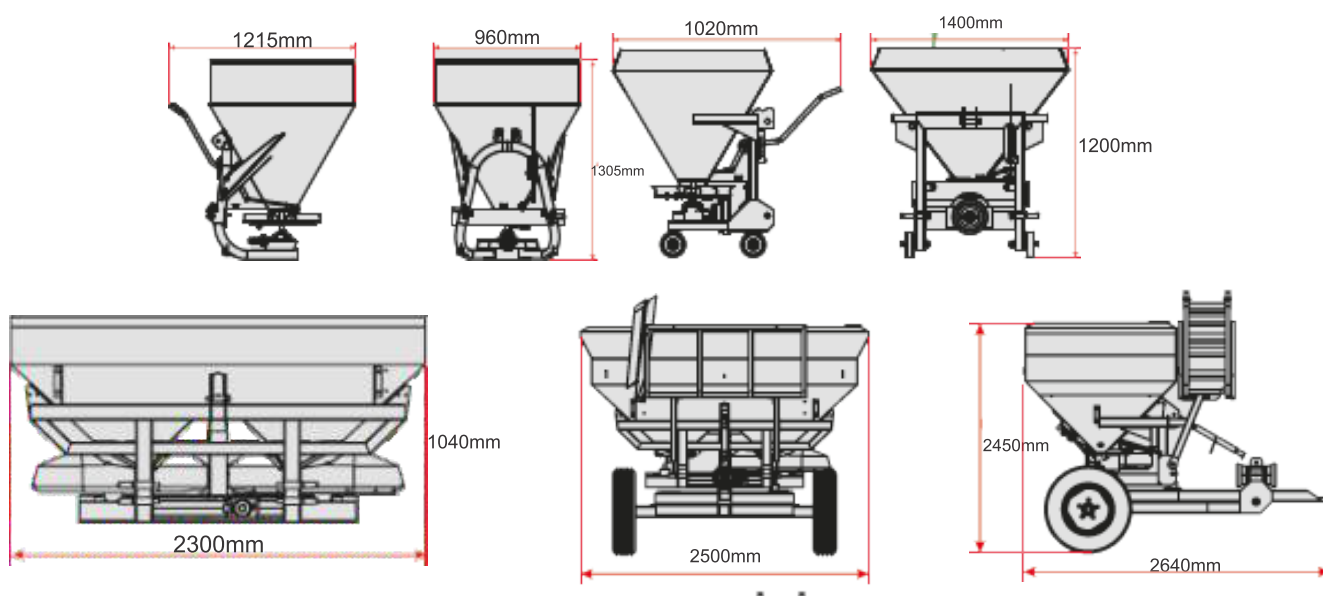


FERTILIZER SPREADER



FEATURES

Agromaster fertilizer spreaders are manufactured with mild steel to the best quality at a great price. They are mounted fertilizer spreaders by a threepoint linkage system and powered by the tractor's P.T.O



SPECIFICATIONS

Model	FS 350	FS 500	FS 1000
Hopper capacity (Litres)	350	500	1000
Number of discs	1	1	2
Working width	14 m	14 m	18 m
PTO rotation	540	540	540
Total weight	77 kg	135 kg	217 kg



agromaster®
we know the soil...